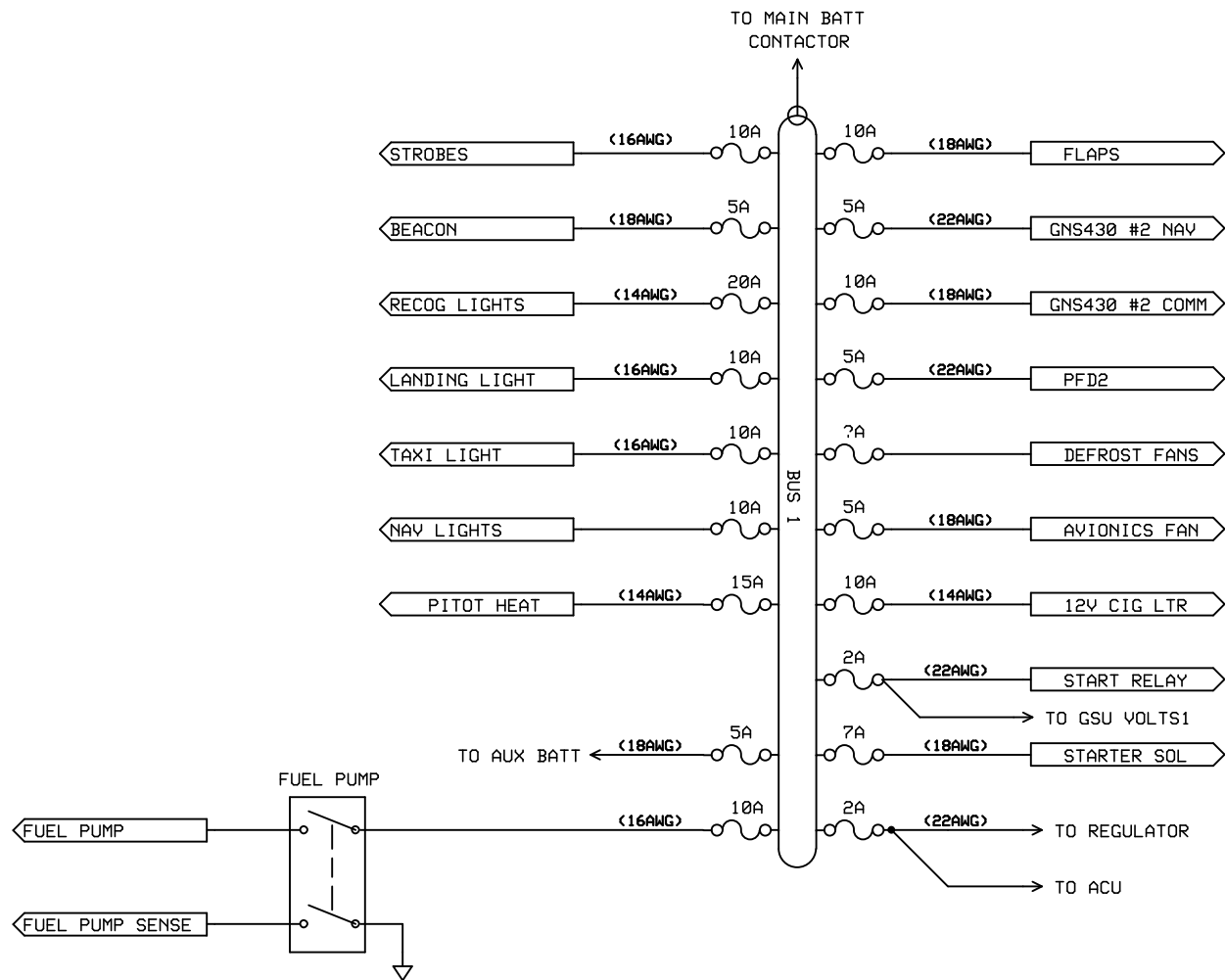
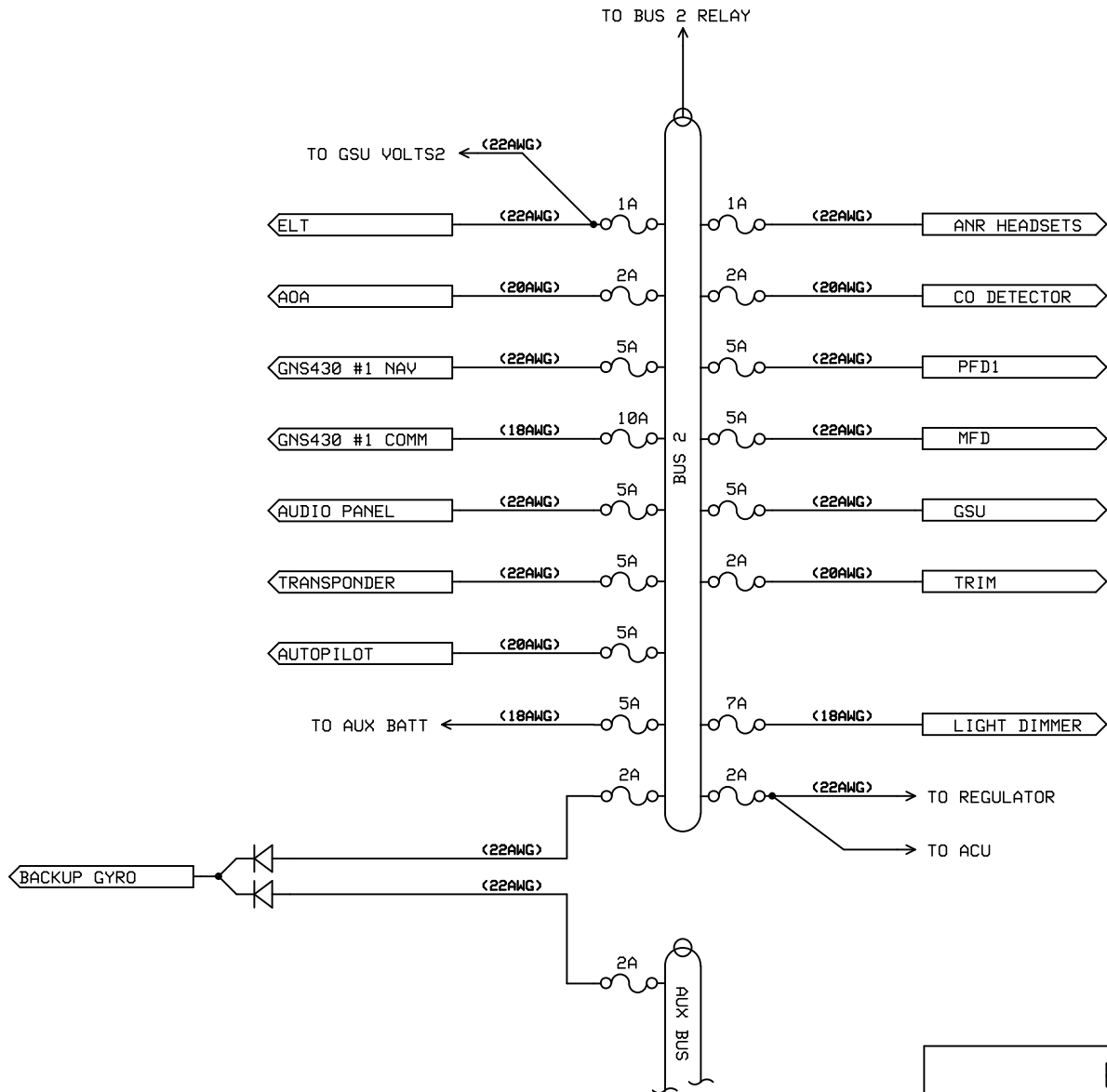


* DENOTES SHORTEST POSSIBLE LENGTH REQUIRED

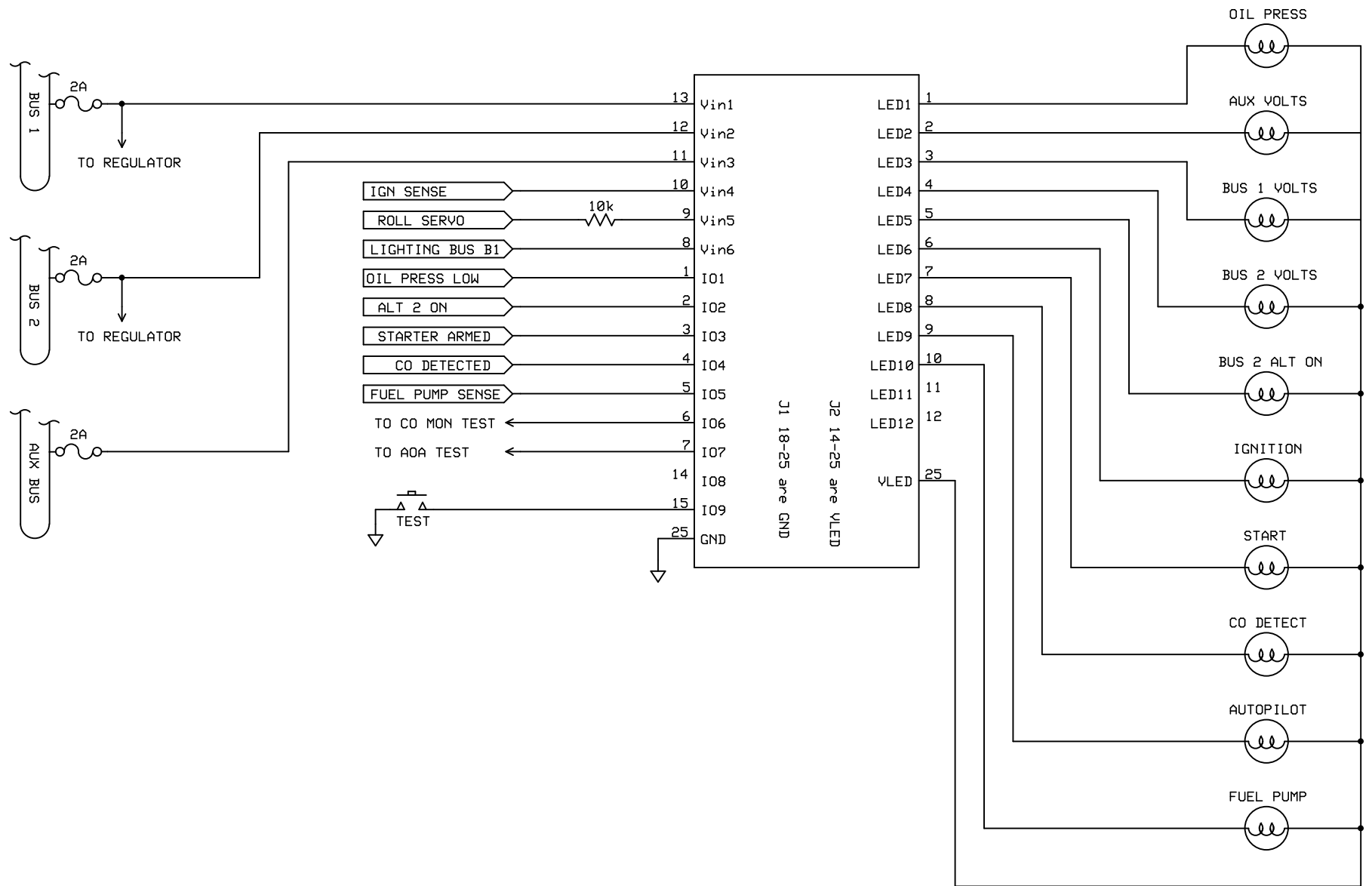
RV-7 N709MB	
Auxiliary Battery	
	Page # or name



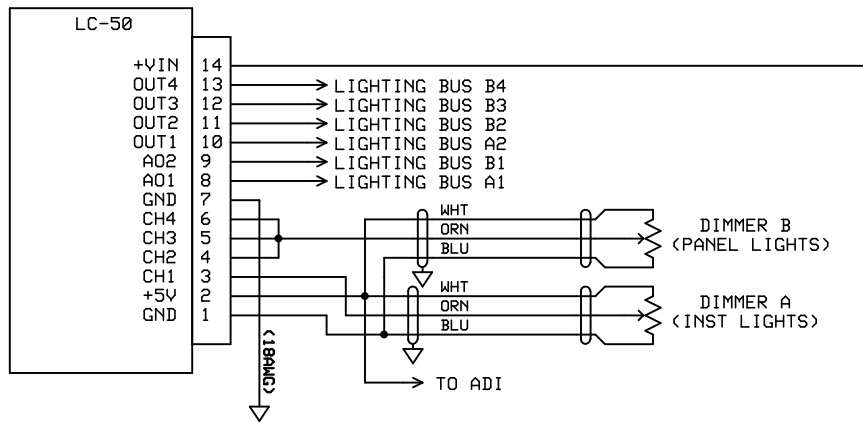
RV-7 N709MB	
Bus 1 Loads	
	Page # or name



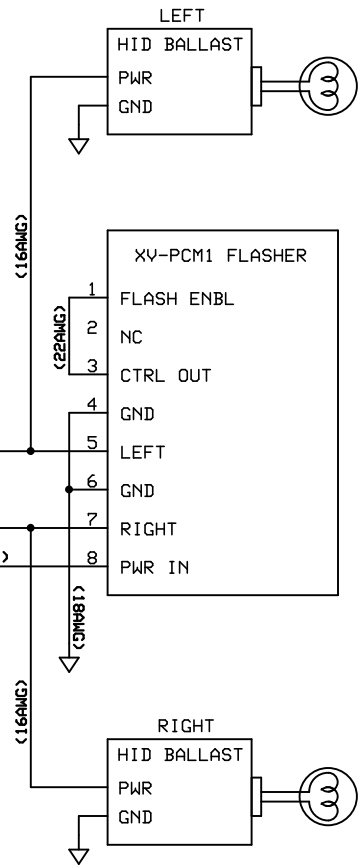
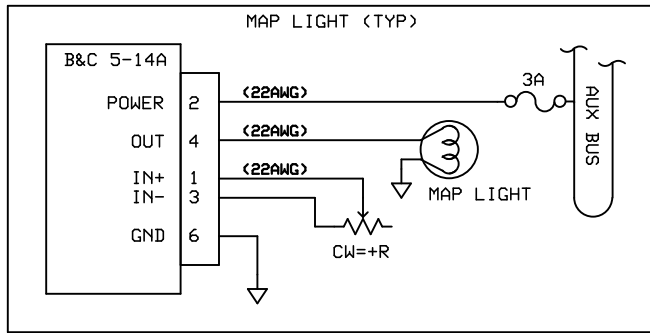
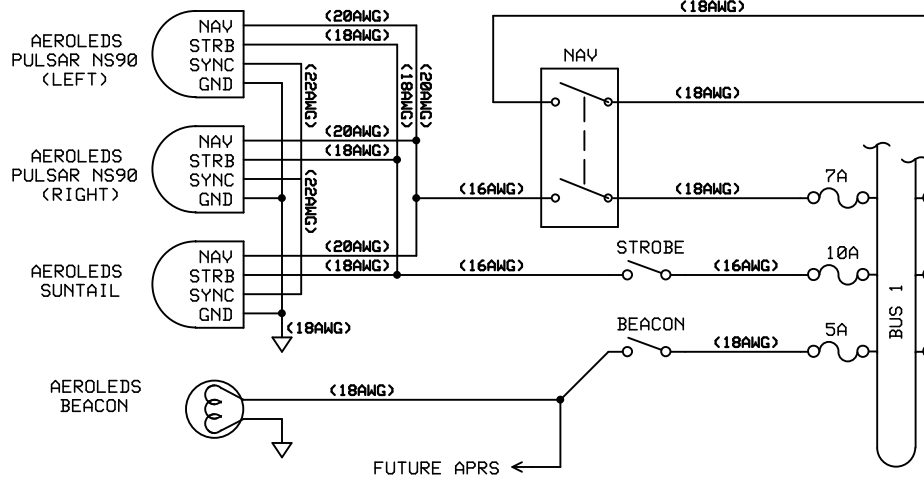
RV-7 N709MB	
Bus 2 Loads	
	Page # or name

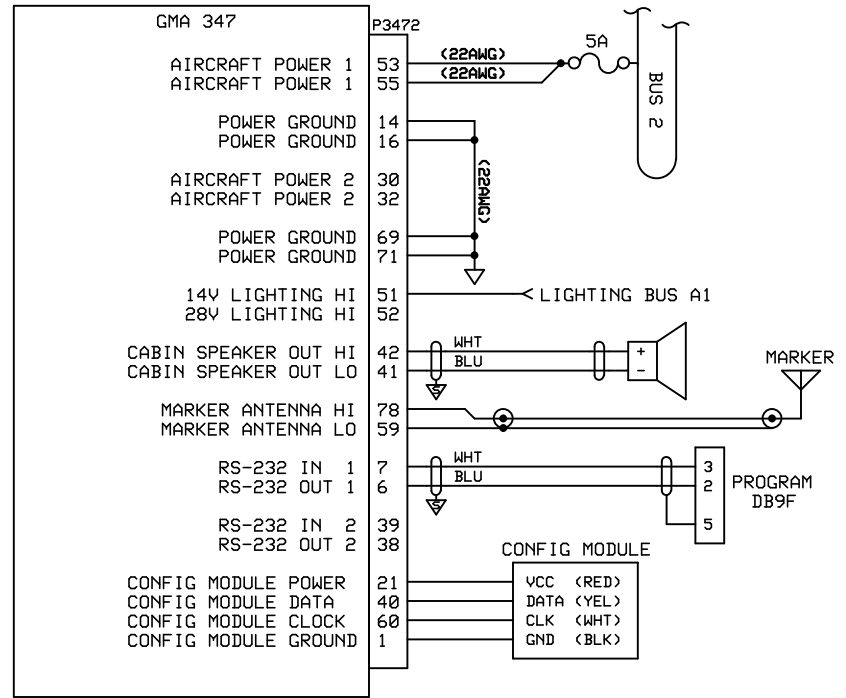
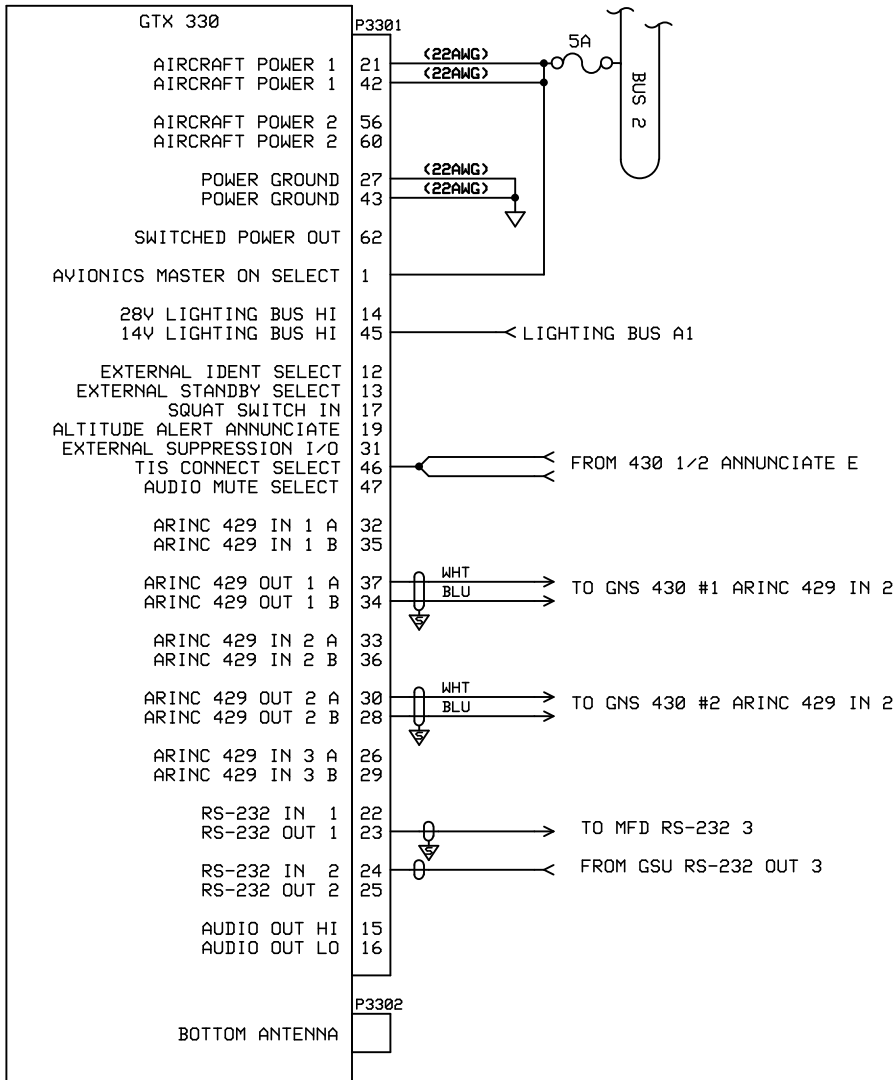


RV-7 N709MB	
Annunciator Control Unit	
	Page # or name



LIGHTING BUS A1: GARMIN AVIONICS (ANALOG)
LIGHTING BUS A2: STANDBY INSTRUMENTS
LIGHTING BUS B1: ACU (ANALOG)
LIGHTING BUS B2: GLARESHIELD FLOOD
LIGHTING BUS B3: PANEL SWITCHES
LIGHTING BUS B4: COMPASS/FUEL SEL FLOOD
LIGHTING BUS C: TT ADI (CONSTANT V)





GMA 347 RS-232 PORT CONNECTIONS

RS-232 1	PROGRAM CONNECTOR
RS-232 2	N/C

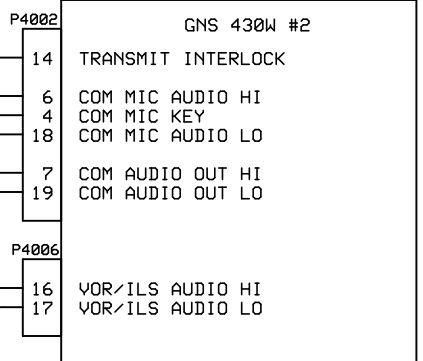
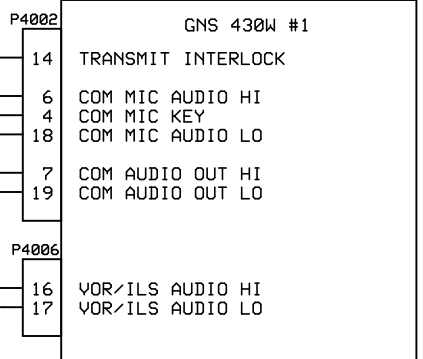
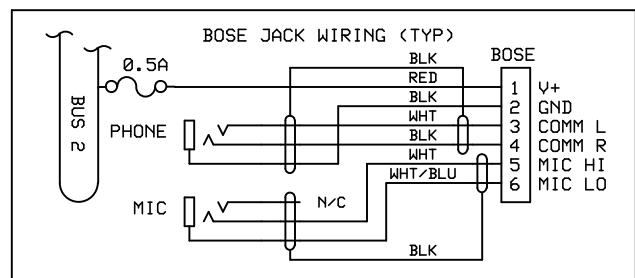
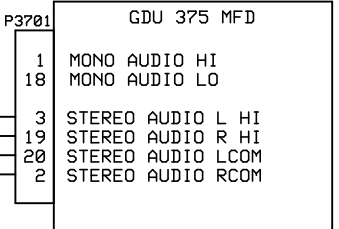
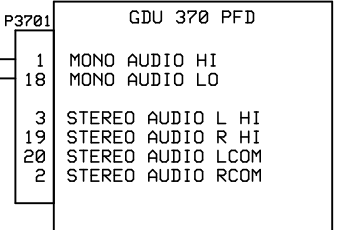
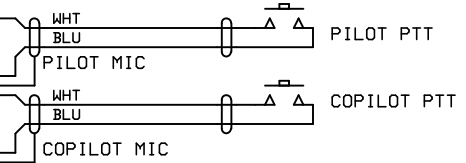
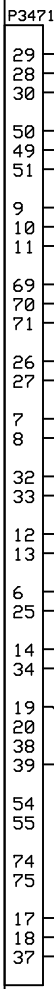
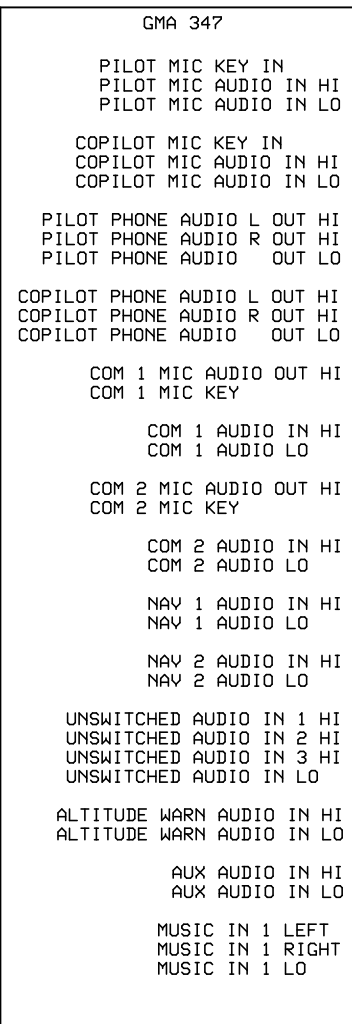
GTX 330 ARINC 429 PORT CONNECTIONS

ARINC 429 IN 1	N/C
ARINC 429 IN 2	N/C
ARINC 429 IN 3	N/C
ARINC 429 OUT 1	TO GNS 430 #1 GPS 429 IN 2
ARINC 429 OUT 2	TO GNS 430 #2 GPS 429 IN 2

GTX 330 RS-232 PORT CONNECTIONS

RS-232 IN 1	N/C
RS-232 OUT 1	TO MFD RS-232 IN 3
RS-232 IN 2	FROM GSU RS-232 OUT 3
RS-232 OUT 2	N/C

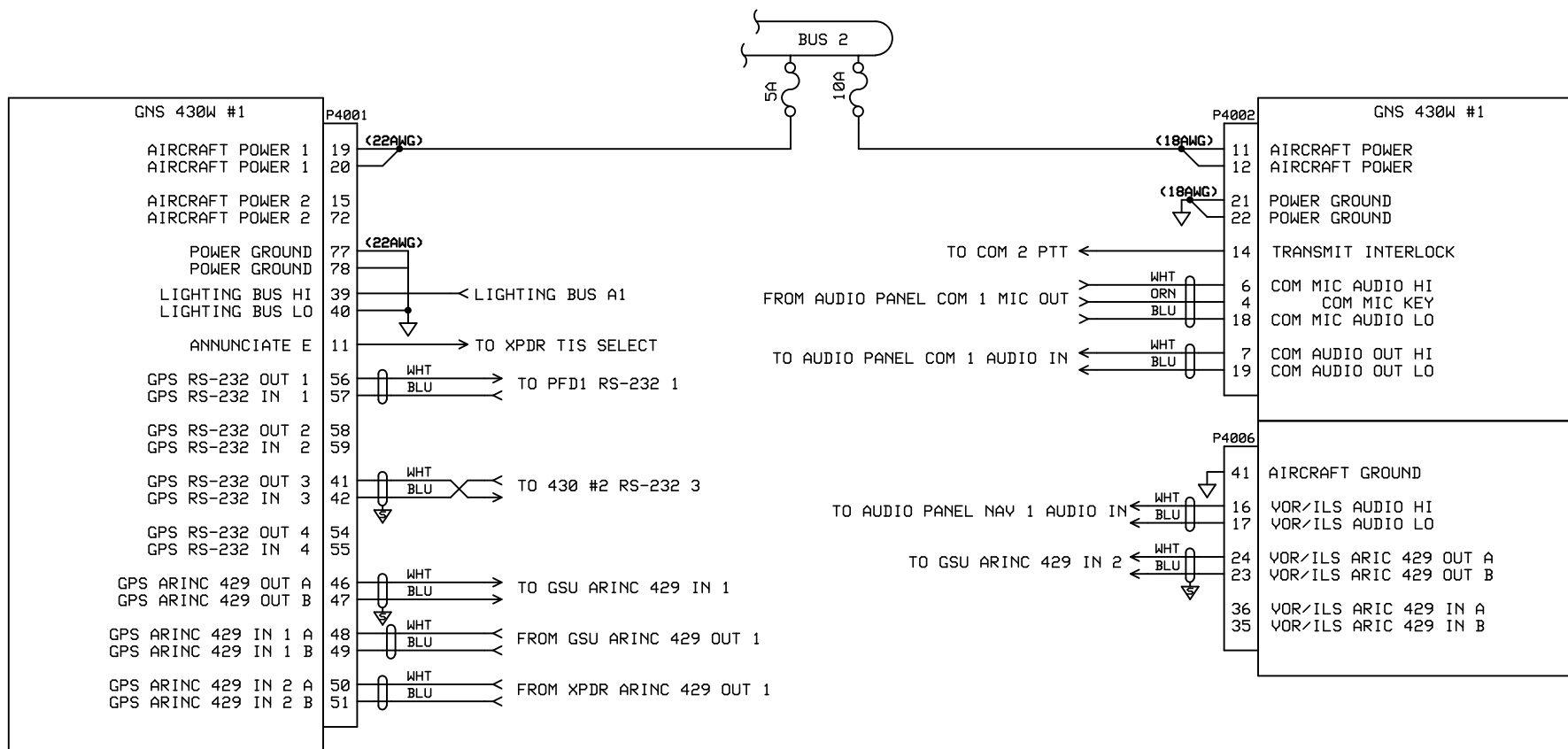
RV-7 N709MB	
Transponder / Audio Panel	
	Page # or name



RV-7 N709MB

Audio Connections

Page # or name



GNS 430 #1 RS-232 PORT CONNECTIONS

RS-232 IN 1 (57)	FROM PFD1 RS-232 OUT 1
RS-232 OUT 1 (56)	TO PFD1 RS-232 IN 1
RS-232 IN 2 (59)	N/C
RS-232 OUT 2 (58)	N/C
RS-232 IN 3 (42)	FROM GNS 430 #2 RS-232 OUT 3
RS-232 OUT 3 (41)	TO GNS 430 #2 RS-232 IN3
RS-232 IN 4 (55)	N/C
RS-232 OUT 4 (54)	N/C

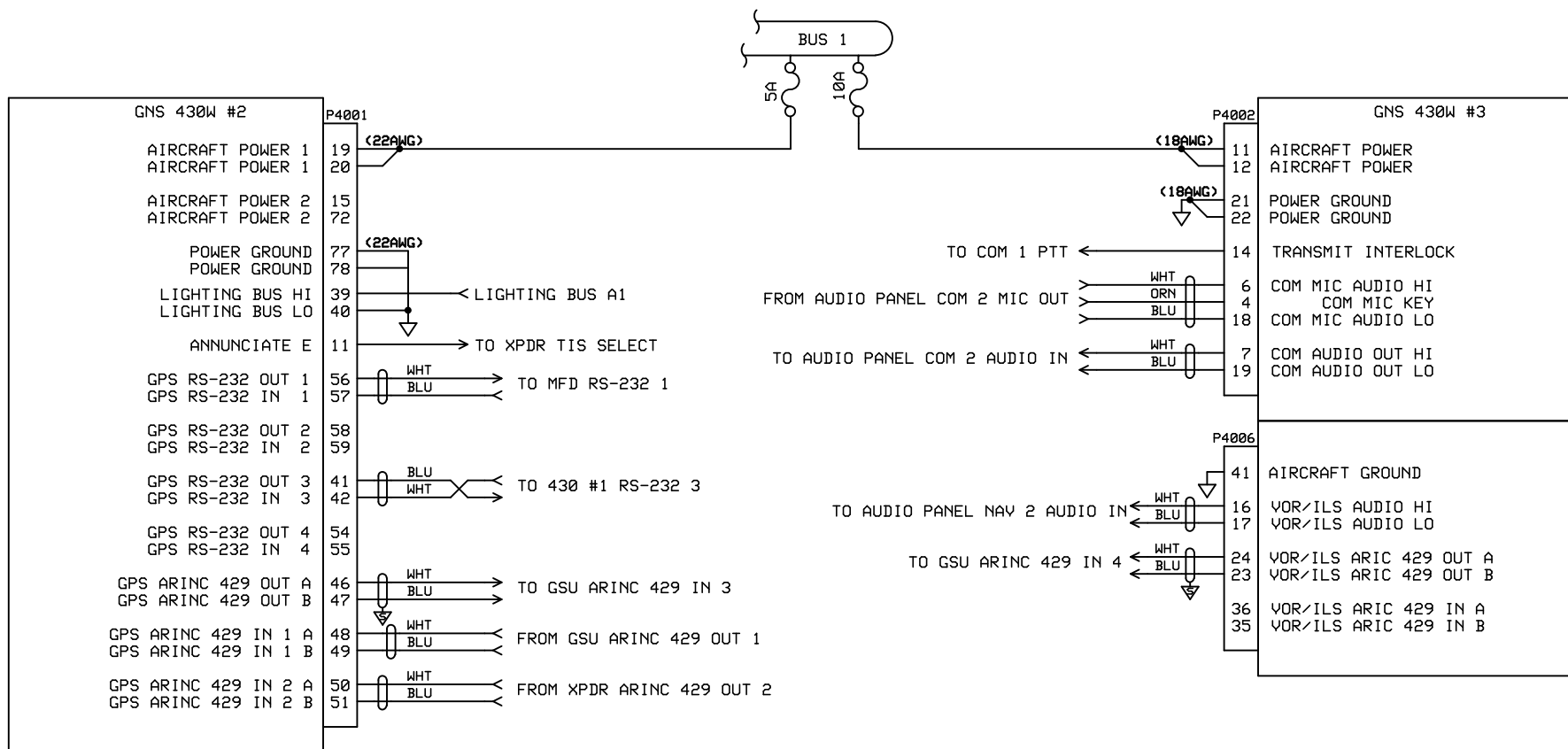
GNS 430 #1 ARINC 429 PORT CONNECTIONS

GPS 429 IN 1	FROM GSU 429 OUT 1
GPS 429 IN 2	FROM XPDR 429 OUT 1
GPS 429 OUT	TO GSU 429 IN 1
VOR/ILS 429 IN	N/C
VOR/ILS 429 OUT	TO GSU 429 IN 2

RV-7 N709MB

GNS 430W #1

Page # or name



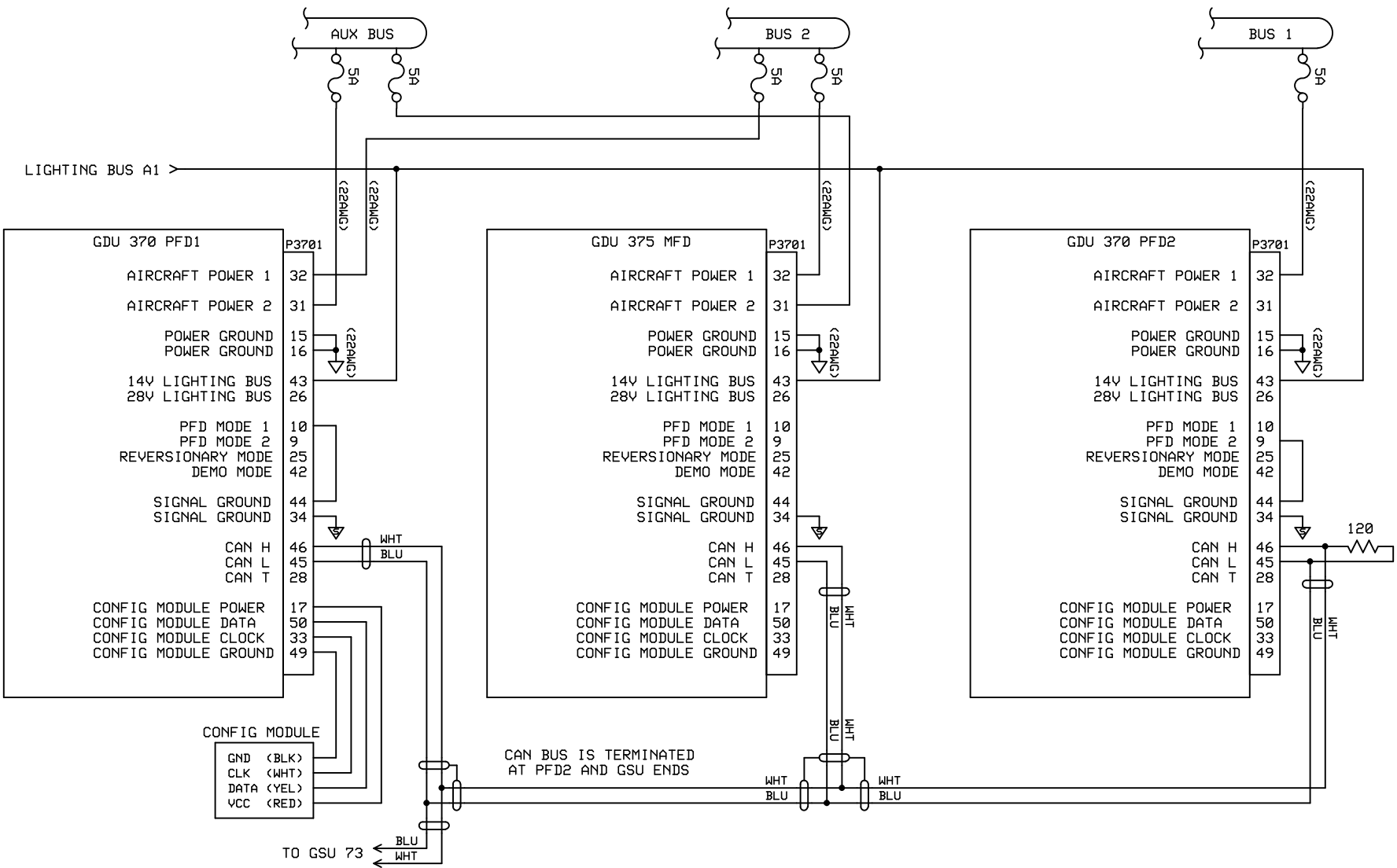
GNS 430 #2 RS-232 PORT CONNECTIONS

RS-232 IN 1 (57)	FROM MFD RS-232 OUT 1
RS-232 OUT 1 (56)	TO MFD RS-232 IN 1
RS-232 IN 2 (59)	N/C
RS-232 OUT 2 (58)	N/C
RS-232 IN 3 (42)	FROM GNS 430 #1 RS-232 OUT 3
RS-232 OUT 3 (41)	TO GNS 430 #1 RS-232 IN3
RS-232 IN 4 (55)	N/C
RS-232 OUT 4 (54)	N/C

GNS 430 #2 ARINC 429 PORT CONNECTIONS

GPS 429 IN 1	FROM GSU 429 OUT 1
GPS 429 IN 2	FROM XPDR 429 OUT 2
GPS 429 OUT	TO GSU 429 IN 3
VOR/ILS 429 IN	N/C
VOR/ILS 429 OUT	TO GSU 429 IN 4

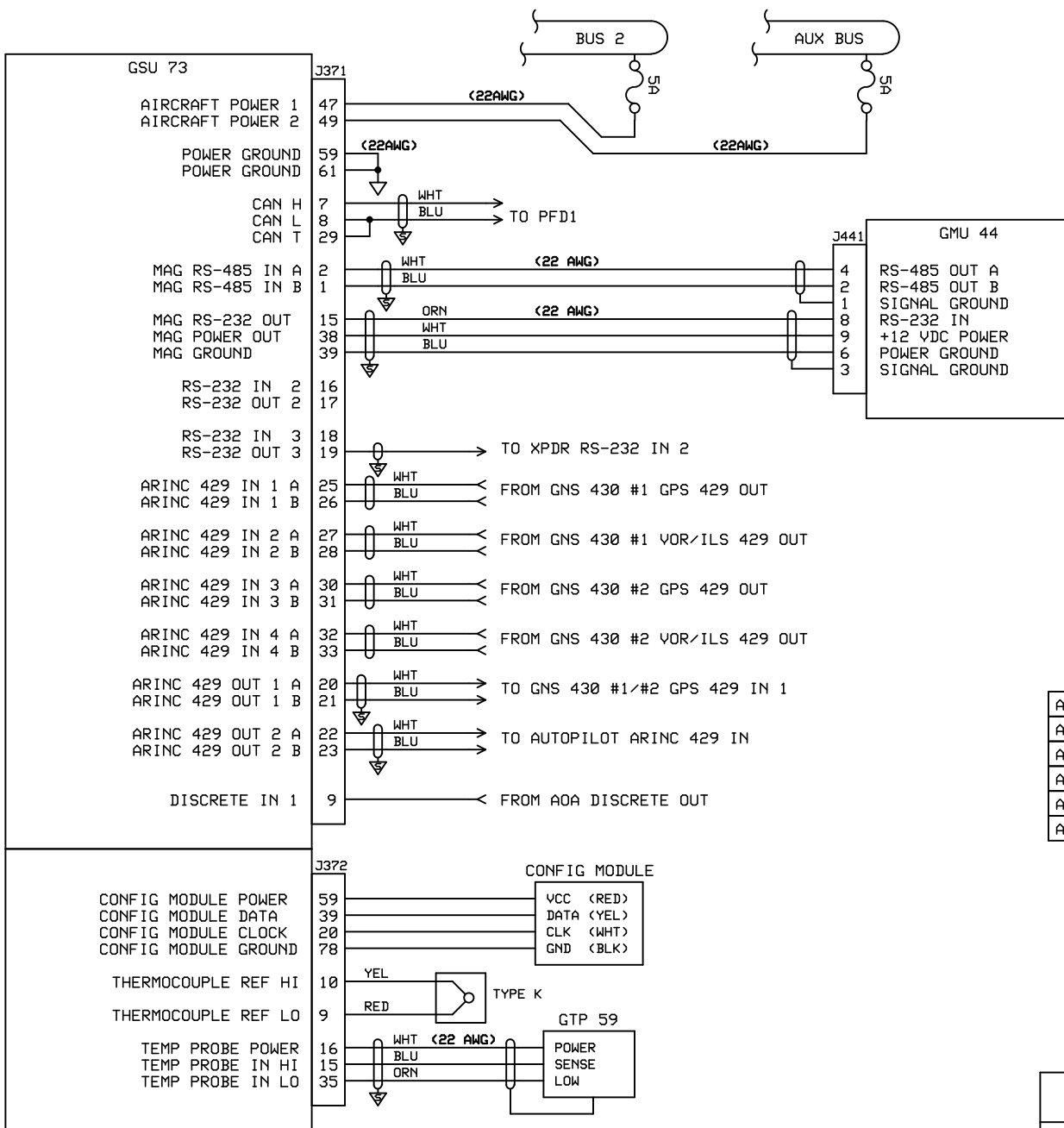
RV-7 N709MB	
GNS 430 #2	
	Page # or name



GDU RS-232 PORT CONNECTIONS

	PFD1	MFD	PFD2
RS-232 IN 1 (47)	430 #1 RS-232 OUT 1	430 #2 RS-232 OUT 1	CO MON RS-232 OUT
RS-232 OUT 1 (48)	430 #1 RS-232 IN 1	430 #2 RS-232 IN 1	CO MON RS-232 IN
RS-232 IN 2 (14)	AUTOPILOT RS-232 OUT	N/C	N/C
RS-232 OUT 2 (30)	AUTOPILOT RS-232 IN	ELT RS-232 IN	N/C
RS-232 IN 3 (29)	N/C	XPDR RS-232 OUT 1	N/C
RS-232 OUT 3 (13)	ADI RS-232 IN	N/C	N/C

RV-7 N709MB	
GDU 37x Displays	
	Page # or name



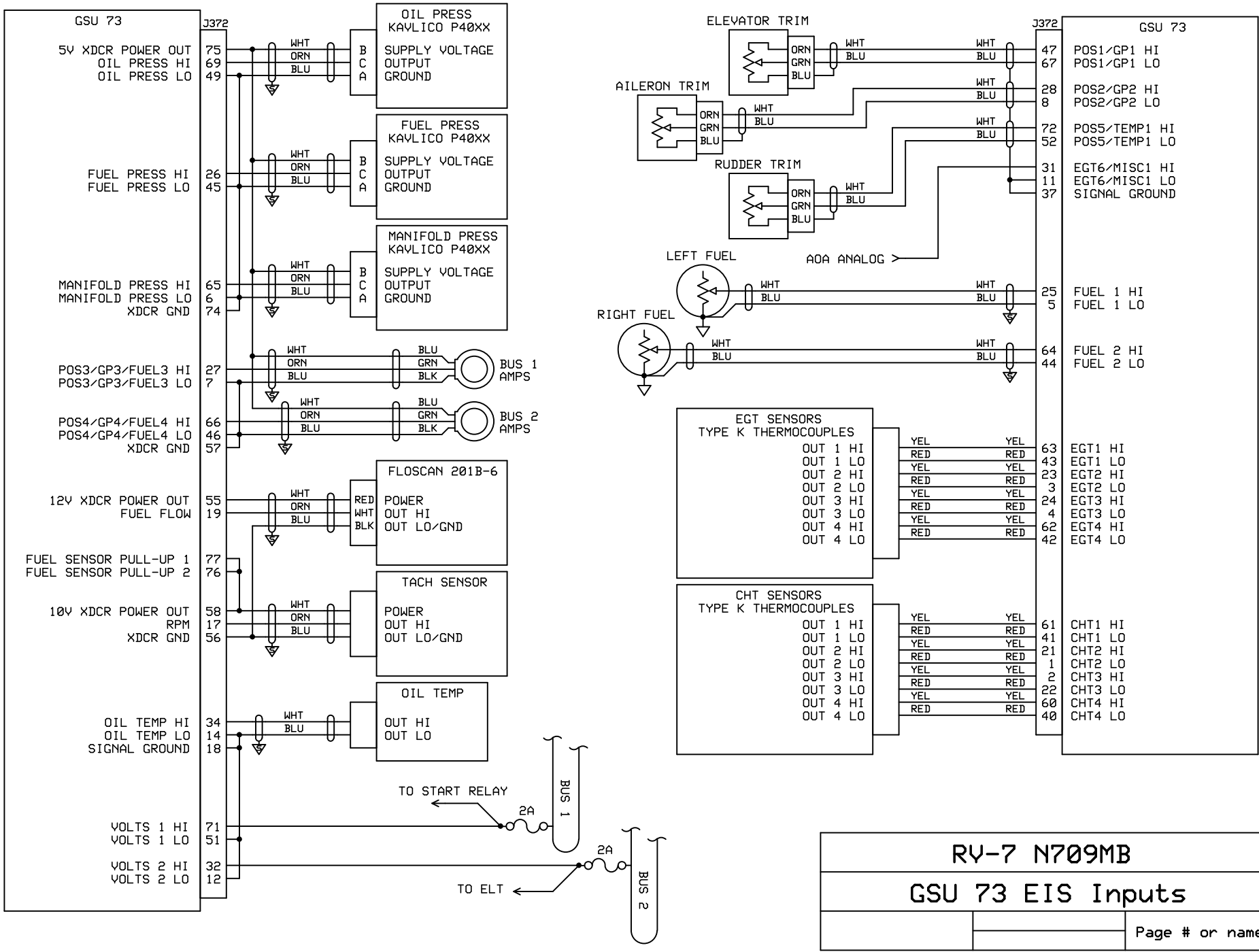
GSU 73 ARINC 429 PORT CONNECTIONS

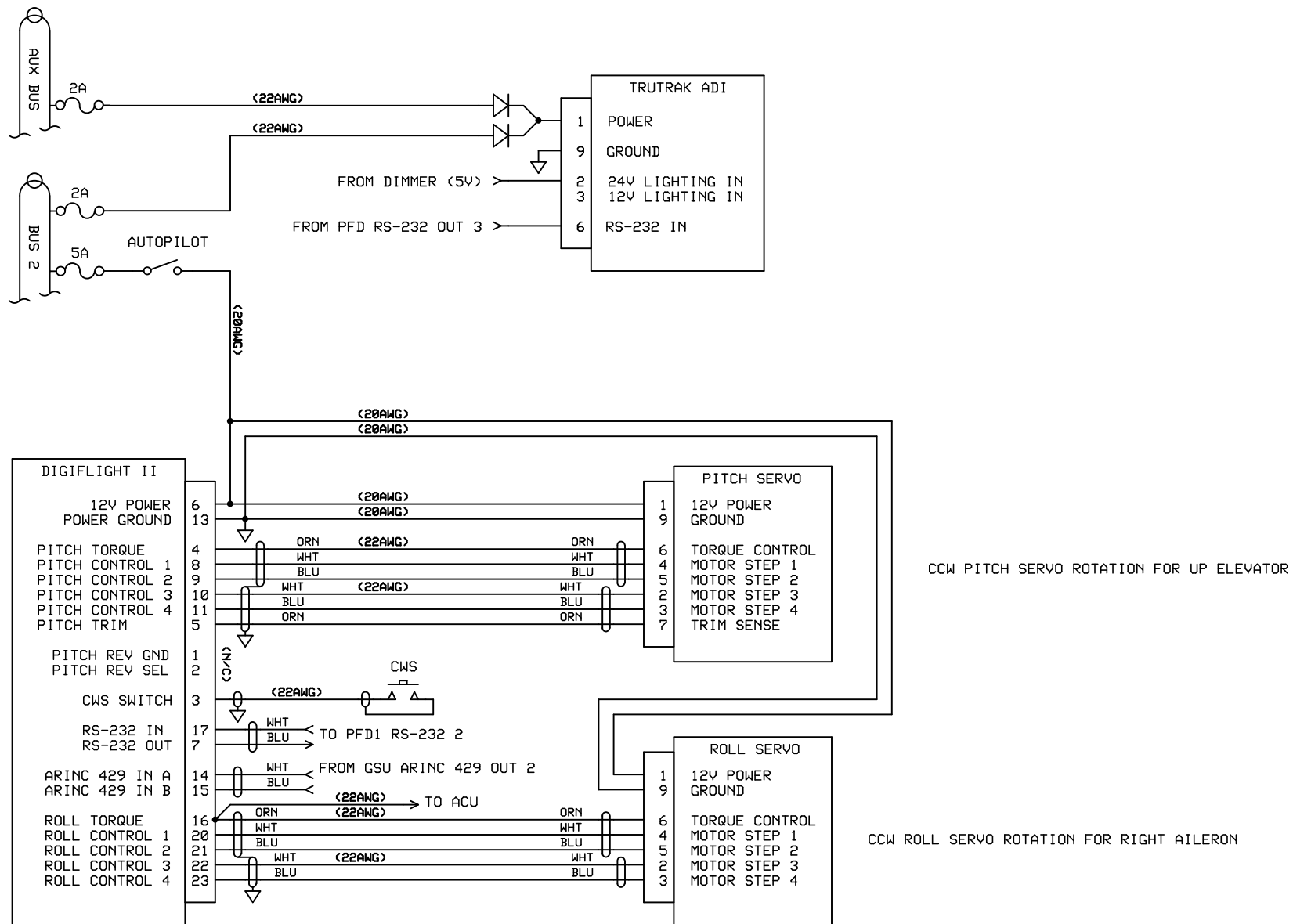
ARINC 429 IN 1	FROM GNS 430 #1 GPS 429 OUT
ARINC 429 IN 2	FROM GNS 430 #1 VOR/ILS 429 OUT
ARINC 429 IN 3	FROM GNS 430 #2 GPS 429 OUT
ARINC 429 IN 4	FROM GNS 430 #2 VOR/ILS 429 OUT
ARINC 429 OUT 1	TO GNS 430 #1/#2 GPS 429 IN 1
ARINC 429 OUT 2	TO AUTOPILOT 429 IN

RV-7 N709MB

GSU 73 Main

Page # or name



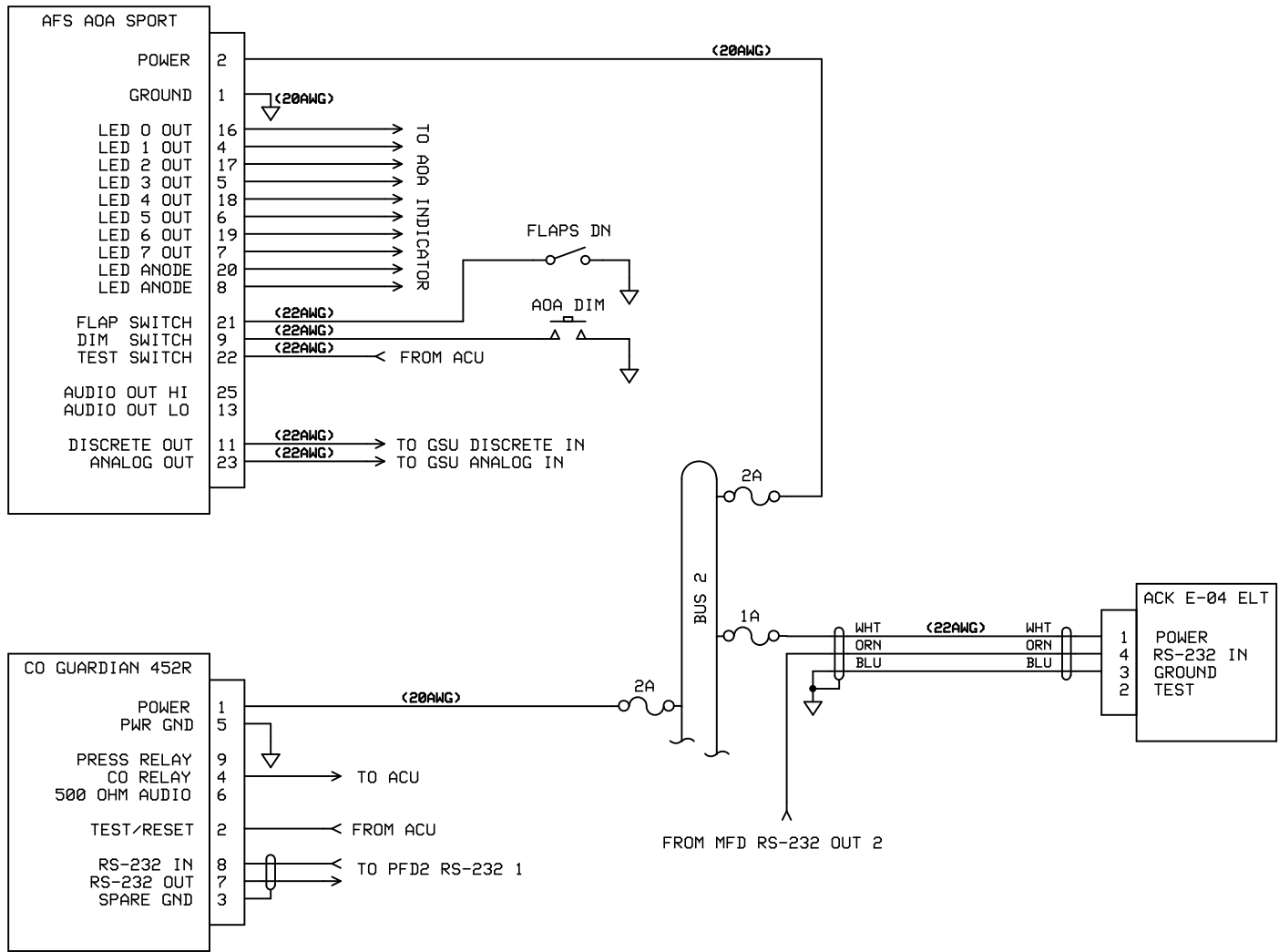


CCW PITCH SERVO ROTATION FOR UP ELEVATOR

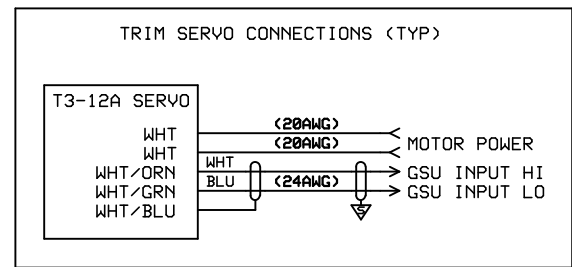
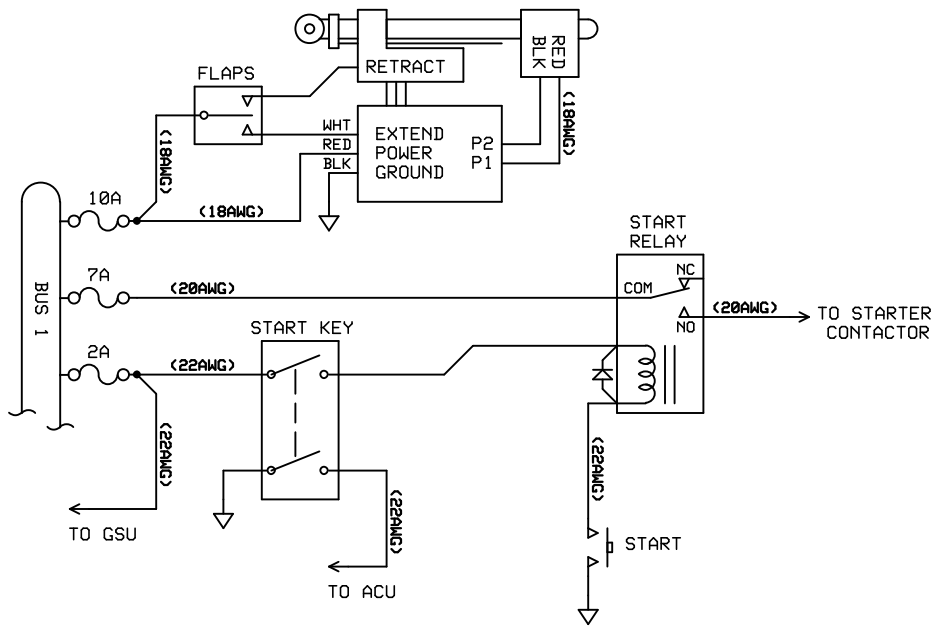
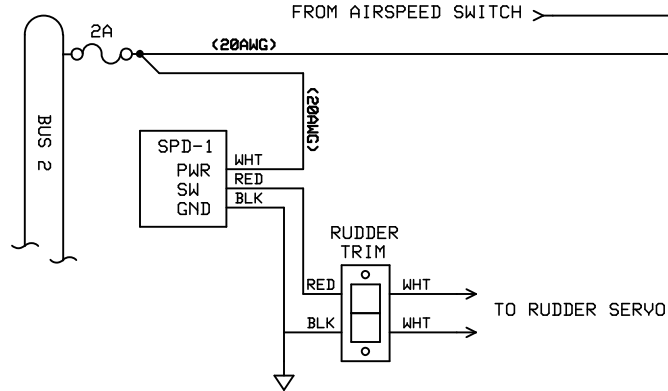
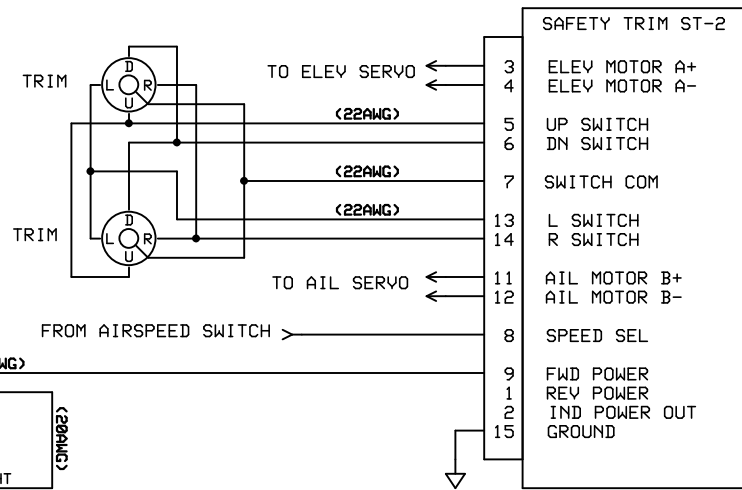
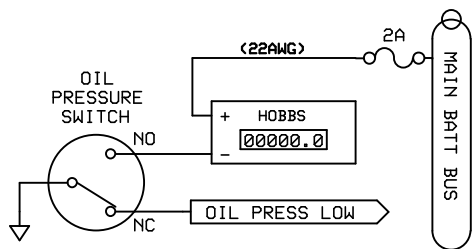
CCW ROLL SERVO ROTATION FOR RIGHT AILERON

CONNECT ALL INDICATED SHIELDS TO AP GROUND

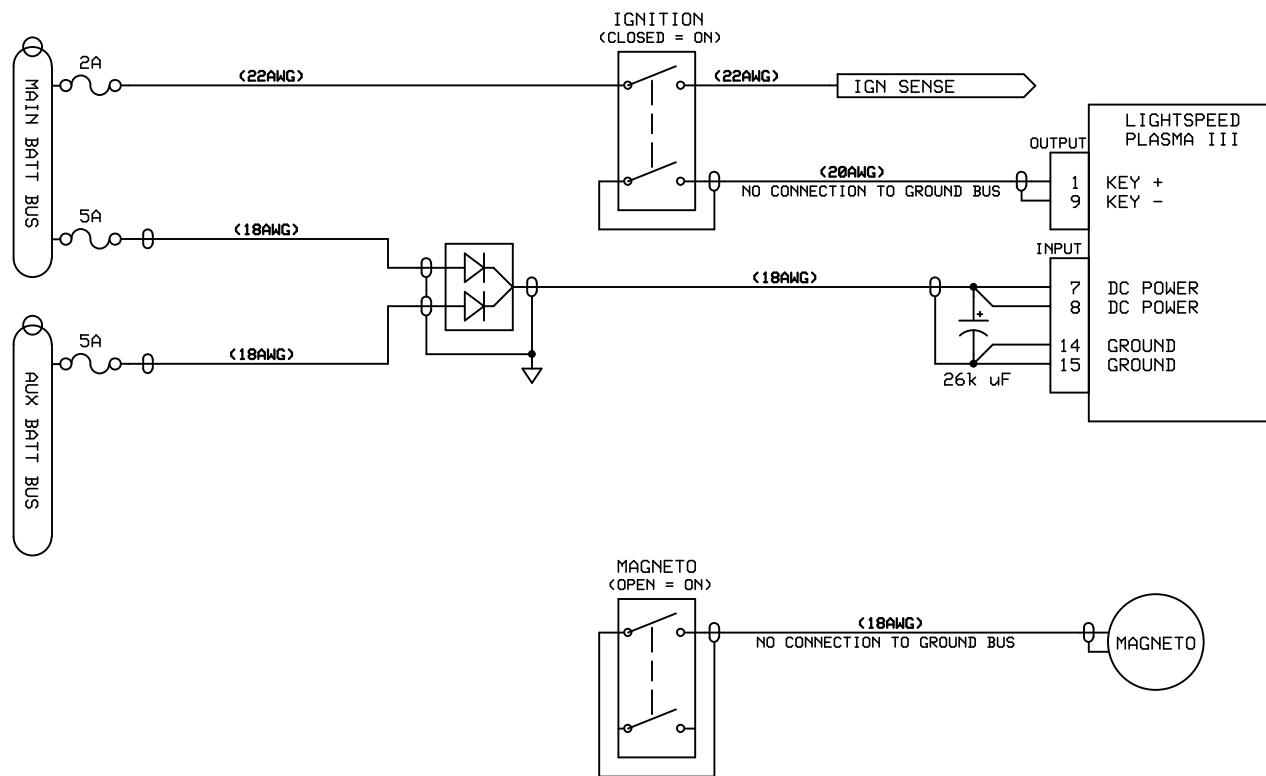
RV-7 N709MB	
Autopilot / ADI	
	Page # or name



RV-7 N709MB	
AOA / ELT / CO Detector	
	Page # or name



RV-7 N709MB	
Trim / Flaps / Misc	
	Page # or name



RV-7 N709MB	
Ignition	
	Page # or name